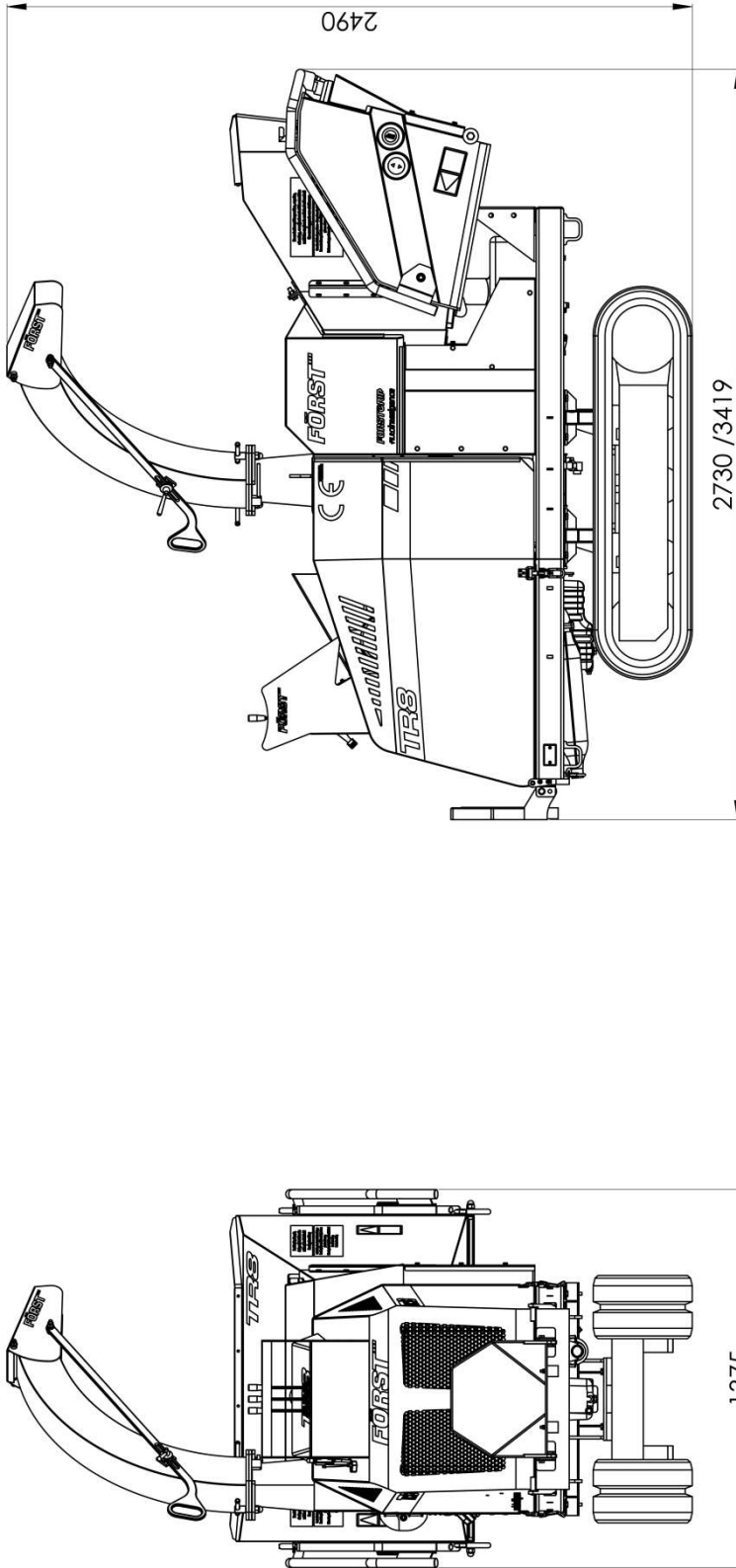


Purpose of machine

The Forst TR8 is designed to reduce wood material up to 203mm diameter and 254mm wide to woodchip. This machine is capable of processing up to 5.5 tonnes of wood per hour.



Engine	Kubota 4 cyl turbo diesel	Roller feed	Twin series hydraulic motors
Maximum power	33.5 kW (45hp)	Maximum material diameter	203mm
Cooling method	Water cooled	Fuel capacity	35 litres
Overall weight	1500kg	Hydraulic oil capacity	35 litres
Starting method	Electric	Material processing capacity	5.5 Tonnes/Hr
		Fuel type	Diesel